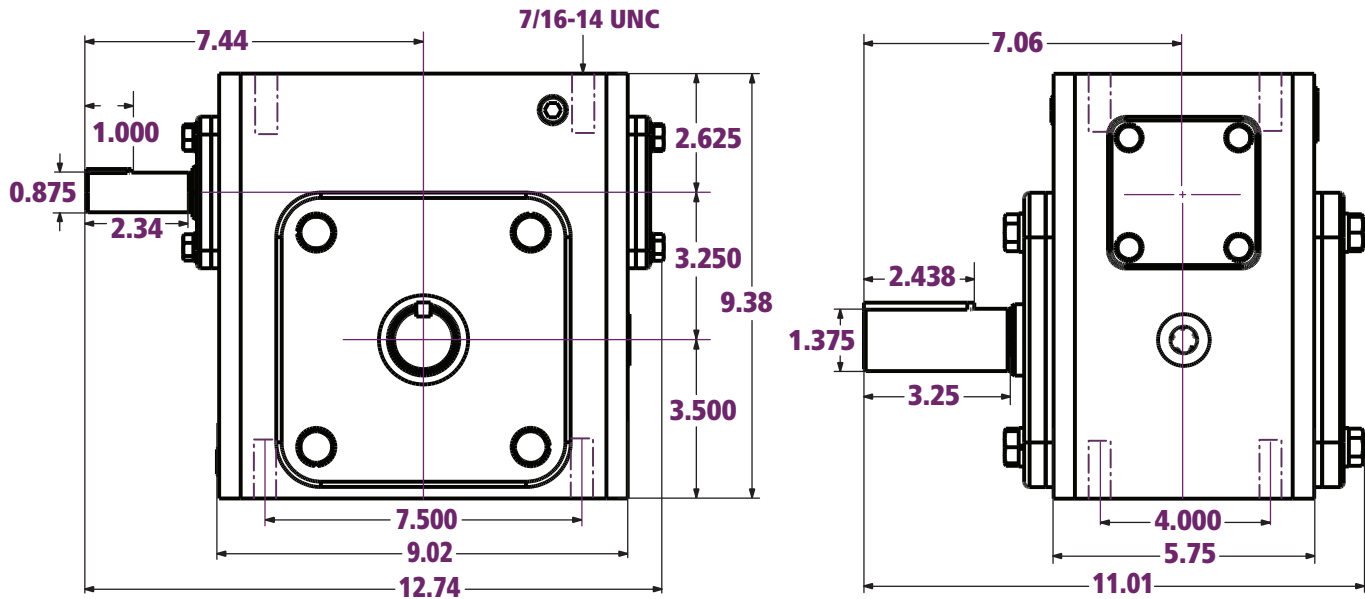




XS325 Dimensions

All dimensions listed in inches



Output and Input Shafts (in)

Output Keyway (in)	Output Shaft Dia. (in)	Input Keyway (in)	Input Shaft Dia. (in)
5/16 x 5/32	1.375	3/16 x 3/32	0.875

Specifications

Center Distance (in)	Weight (lbs)	Est. Oil Fill Amount* (oz)
3.250	73.7 [74.8 [†]]	70.0

*For Position 1.

[†]Approximate weight for LR Handling.

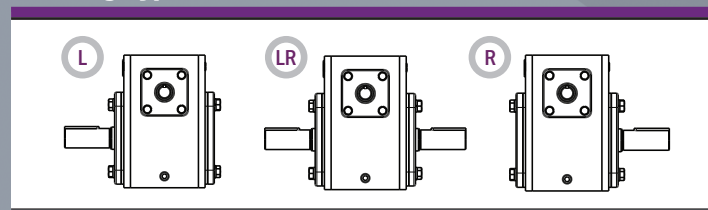
Ratios

Nominal Ratios	Exact Ratios
5:1	5.3:1
10:1	10.3:1
15:1	15.5:1
20:1	19.5:1
30:1	30.0:1
40:1	40.0:1
50:1	50.0:1
60:1	60.0:1

Efficiency

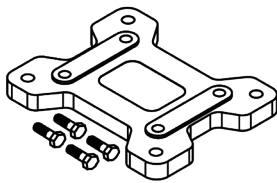
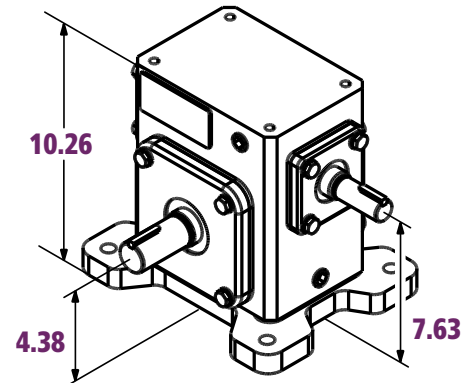
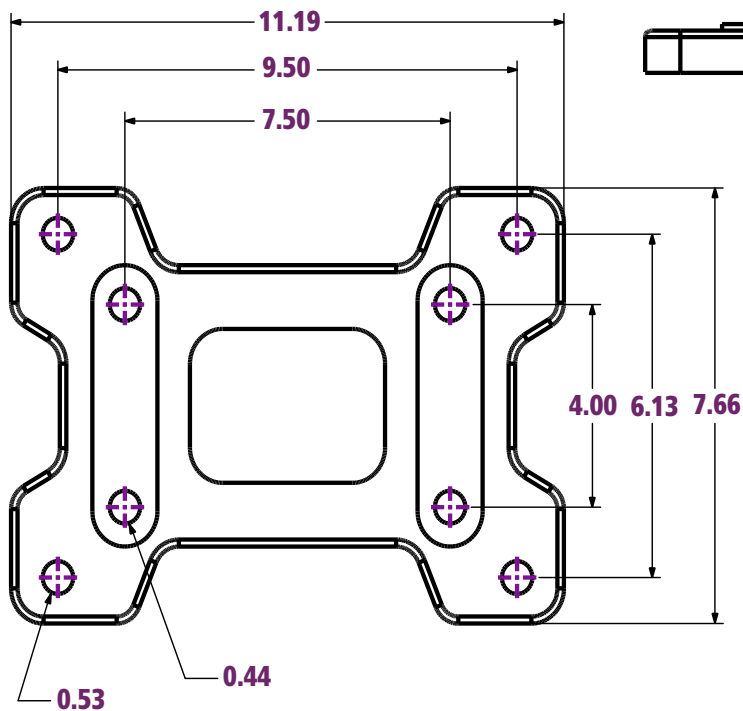
Nominal Ratios	Efficiency (%)
5:1	≈ 93
10:1	≈ 90
15:1	≈ 85
20:1	≈ 86
30:1	≈ 77
40:1	≈ 76
50:1	≈ 76
60:1	≈ 71

Handling Types



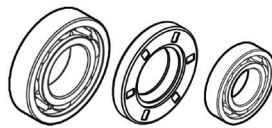
XS325 Accessories

and X325 Base Kit Dimensions



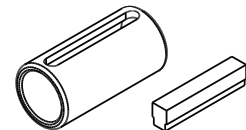
Foot Mounted Base Kit

XBK325



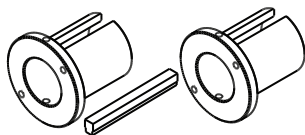
Component Repair Kit

XSRK325



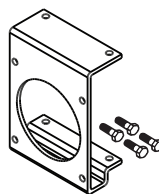
Input Quill Adapter Option

Not Applicable



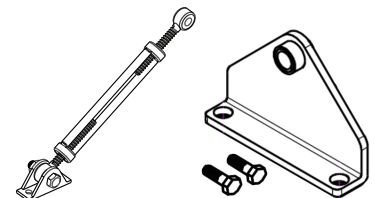
Output Bushing Kits*

Not Applicable



Output Bracket Kit*

XOB325



Torque Arm Kit*

XTA325

*Made to order.